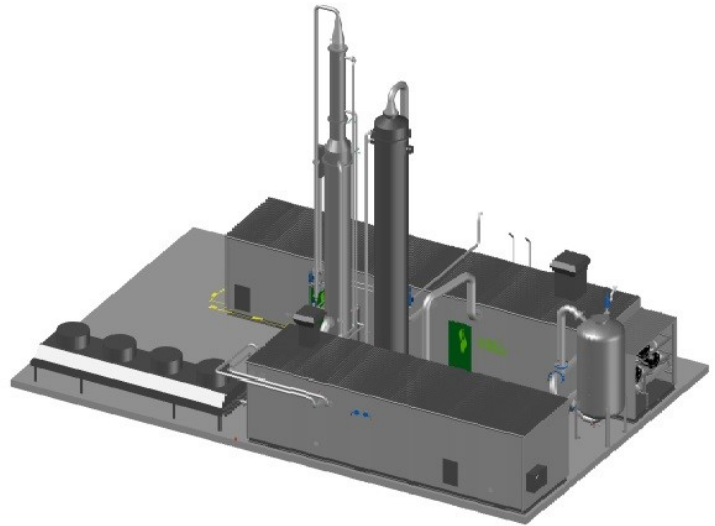


Key Features

- Guaranteed Availability : 98%
- >99.9% methane recovery
- Small footprint required: 225 m²
- Superior Chemical Absorption technology
- Closed system - no water pumped to waste
- Lowest operation cost in class
- High quality CO₂ as a second revenue stream
- < 0.1% Methane Slip
- Global support network



Raw BioGas

Capacity:	900 – 3000 Nm ³ /h
CH ₄ content:	55 – 70 vol % (design 60 vol %)
CO ₂ content:	29 – 44 vol % (design 39 vol-%)
H ₂ S content:	< 300 ppm (design 50)
O ₂ + N ₂ :	< 0,5 vol %
H ₂ O %	Saturated
Pressure:	5 – 60 mbarg (design 25 mbarg)
Temperature:	5 – 40°C, (design 40°C)

Product Gas - Biomethane

Capacity:	Up to 1800 Nm ³ /h
CH ₄ Concentration	> 99 vol % in Biomethane
CO ₂ Concentration	< 0.5 vol % in Biomethane
Pressure	≤ 4 barg
Temperature	< 20 °C
CH ₄ recovery:	> 99.9% (Methane Slip < 0.1%)
Dew point:	< -60°C @ 4 barg
CH ₄ efficiency:	> 99,9% to end user