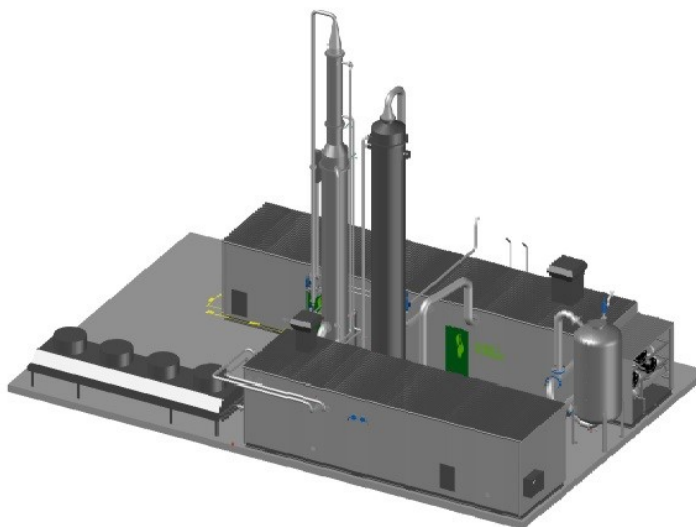


Key Features

- Guaranteed Availability : 98%
- > 99.9% methane recovery
- Manufactured in the USA
- Superior Chemical Absorption technology
- Closed system - no water pumped to waste
- Lowest operation cost in class
- High quality CO₂ as a second revenue stream
- < 0.1% Methane Slip
- Life-cycle service support



Raw BioGas

Capacity:	500 – 1750 Scfm
CH ₄ content:	55 – 70 vol % (design 60 vol %)
CO ₂ content:	29 – 44 vol % (design 39 vol-%)
H ₂ S content:	< 300 ppm (design 50)
O ₂ + N ₂ :	< 0.1 vol % + 0.4 vol %
H ₂ O %	Saturated
Pressure:	10" wg
Temperature:	100°F

Product Gas: Renewable Natural Gas

Capacity:	Up to 1050 Scfm
CH ₄ Concentration	> 99 vol % in Biomethane
CO ₂ Concentration	< 0.5 vol % in Biomethane
Pressure	≤ 58 psig
Temperature	< 104°F
CH ₄ recovery:	> 99.9%
Dew point:	< -75°F @ 60 psig
Methane Slip:	< 0.1 %