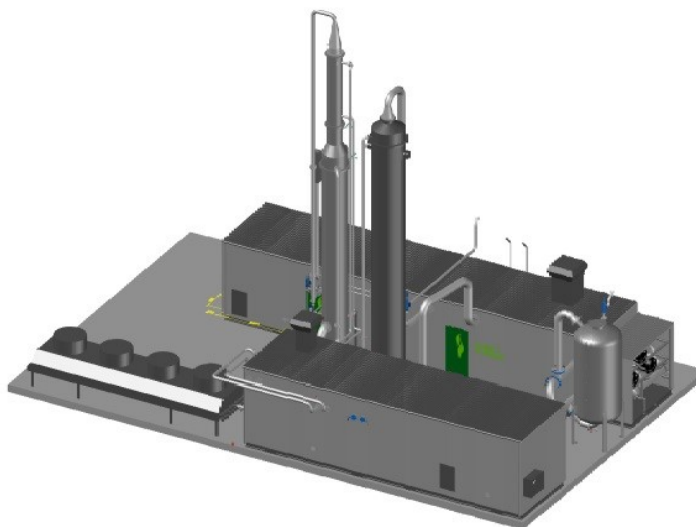


## Key Features

- Guaranteed Availability : 98%
- >99.9% methane recovery
- Small footprint required: 225 m<sup>2</sup>
- Superior Chemical Absorption technology
- Closed system - no water pumped to waste
- Lowest operation cost in class
- High quality CO<sub>2</sub> as a second revenue stream
- < 0.1% Methane Slip
- Global support network



## Raw BioGas

|                                   |                                 |
|-----------------------------------|---------------------------------|
| Capacity:                         | 900 – 3000 Nm <sup>3</sup> /h   |
| CH <sub>4</sub> content:          | 55 – 70 vol % (design 60 vol %) |
| CO <sub>2</sub> content:          | 29 – 44 vol % (design 39 vol-%) |
| H <sub>2</sub> S content:         | < 300 ppm (design 50)           |
| O <sub>2</sub> + N <sub>2</sub> : | < 0,5 vol %                     |
| H <sub>2</sub> O %                | Saturated                       |
| Pressure:                         | 5 – 60 mbarg (design 25 mbarg)  |
| Temperature:                      | 5 – 40°C, (design 40°C)         |

## Product Gas - Biomethane

|                               |                               |
|-------------------------------|-------------------------------|
| Capacity:                     | Up to 1800 Nm <sup>3</sup> /h |
| CH <sub>4</sub> Concentration | > 99 vol % in Biomethane      |
| CO <sub>2</sub> Concentration | < 0.5 vol % in Biomethane     |
| Pressure                      | ≤ 4 barg                      |
| Temperature                   | < 20 °C                       |
| CH <sub>4</sub> recovery:     | > 99.9% (Methane Slip < 0.1%) |
| Dew point:                    | < -60°C @ 4 barg              |
| CH <sub>4</sub> efficiency:   | > 99,9% to end user           |