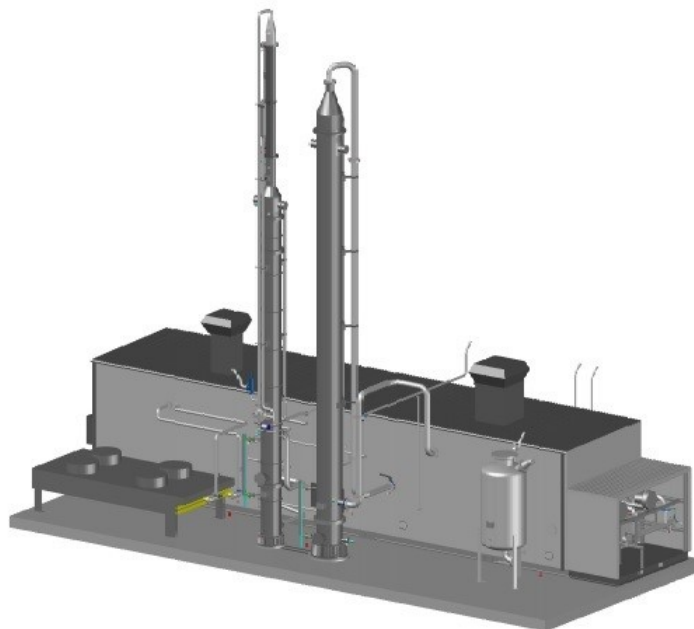


## Key Product Features

- Guaranteed Availability : 98%
- >99.9% methane recovery
- Small footprint required: 107 m<sup>2</sup>
- Superior Chemical Absorption Technology
- Closed System—no water pumped to waste
- Lowest operational cost in class
- High quality CO<sub>2</sub> as a second revenue stream
- <0.1% Methane Slip
- Global support network



## Raw BioGas

Capacity:	170 - 700 Nm <sup>3</sup> /h
CH <sub>4</sub> content:	55 – 70 vol % (design 60 vol -%)
CO <sub>2</sub> content:	29 – 44 vol % (design 39 vol -%)
H <sub>2</sub> S content:	< 300 ppm (design 50)
O <sub>2</sub> + N <sub>2</sub> :	< 0,5 vol %
H <sub>2</sub> O %	Saturated
Pressure:	5 – 60 mbarg (design 25 mbarg)
Temperature:	5 – 40°C, (design 40°C)

## Product Gas - Biomethane

Capacity:	Up to 420 Nm <sup>3</sup> /h
CH <sub>4</sub> Concentration	> 99 vol % in Biomethane
CO <sub>2</sub> Concentration	< 0.5 vol % in Biomethane
Pressure	≤ 4 barg
Temperature	< 20°C
CH <sub>4</sub> recovery:	> 99.9% (Methane Slip <0.1%)
Dew point:	< -60 °C @ 4 barg
CH <sub>4</sub> efficiency:	> 99,9% to end user